

# OPT-J0527 Ionizer Operation Manual

Thank you very much for your purchase of the optional ionizer. Please read this manual and fully understand it before using the device. If you have any question, contact your local distributor.

## Before using

For note and safety, refer to the instruction manual of main body. It is recommended to check the effect of removing electricity in advance.



- High voltage is applied. Prevent it from water, oil, flammable solvent, etc. being poured. Otherwise, breakdown occurs or it may cause an electric shock and failure of the machine.
- Do not put metals, your body, your finger, etc. closer to it. It may cause an electric shock and failure of the machine.
- There is a danger that generated ozone may do something detrimental to you if the machine is used in the close place. When you use the machine in the close place, be sure to ventilate.
- Do not use in a place where the temperature changes significantly or dew condensation occurs.
- Be sure to turn off the main power switch before performing maintenance. Otherwise, breakdown occurs or it may cause an electric shock and failure of the machine.
- Do not touch the electrode needle directly.
- Should an abnormality is found, contact a distributor in your district or our office. Do not repair the machine by the customer. It may cause an electric shock and failure of the machine.



- Do not touch the electrode probe with a hard thing such as a tool. It may cause an accident or failure of the machine.
- Due to prolonged use, dust/ ink adhere to the electrode probe and it becomes dirty. If you keep using it as it is, the machine cannot produce the performance to remove electricity enough, and it may cause an accident or failure of the machine. Be sure to take care of it.
- Do not use this for any purpose other than eliminating static electricity.



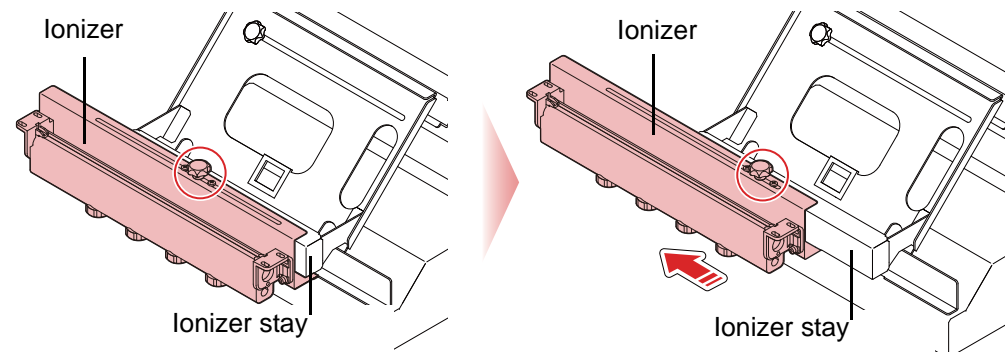
- It is possible that enough effect cannot be achieved depending on your using environment or the media.

## How to set up

1. Tap [Setting 1] in MENU on touch screen.
2. Tap [Print] > [Ionizer].  
The dialog box will appear.
3. Change the ionizer to "ON", and then tap [Settings].

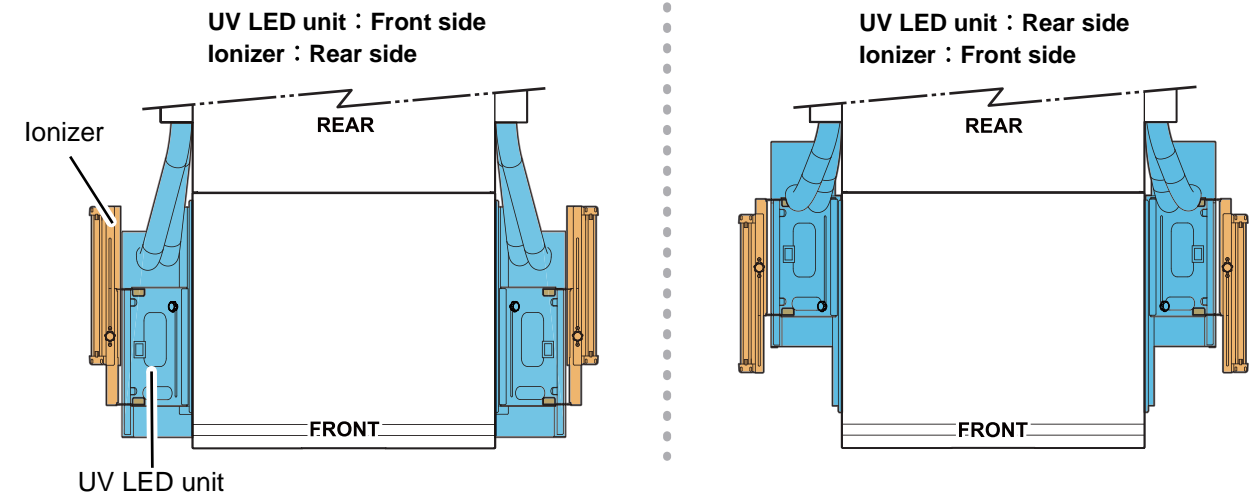
## How to use

The position of the ionizer can be changed according to the printing direction. Loosen the screw to move the ionizer.



## Usage Precautions

When the machine is operating, the UV LED unit and Ionizer can only be positioned in the following two patterns. Move the position of the ionizer depending on the mounting position of the UV LED unit.



- Check the positioning of the UV LED unit and the Ionizer before starting up the machine. Starting the machine in the wrong position may cause the unit to be damaged.

## Daily care

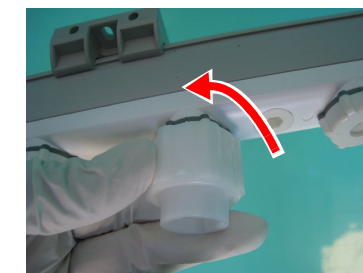
Check the electrode probe before the work and clean it if it is dirty.



- Before cleaning, be sure to turn off the main power of the unit. Failure to do so may result in electric shock or injury. Otherwise, breakdown occurs or it may cause an electric shock and failure of the machine.
- Do not touch the electrode needle directly.

### Method for daily care

1. Remove the electrode probe from the ionizer.  
By using the attached electrode probe replacement kit, you can remove it easily.



2. Wipe off the electrode probe and around it with a cotton swab immersed in alcohol.  
Recommended: ethyl alcohol, isopropyl alcohol

### When it is very dirty

Use an ultrasonic bath. Also, you can use alcohol as washing liquid.

### Note

After cleaning, fully dry it and then attach it to the ionizer to use. When washing liquid remains on the electrode probe, it may cause an accident or failure of the machine.



## Alarm output function

This ionizer has the function to output alarms.

### ■ Alarm output part (Ionizer Controller)



Indicator light

### ■ Alarm function

Item	Alarm (ALM)	Ion level (ION)	Condition (COND)
Indication	Indicator light blinks three times about every second.	Indicator light blinks twice about every second.	Indicator light blinks. once about every second
Status etc.	Internal circuit has been broken. Abnormal discharge occurs.	Due to blot on the electrode probe and wear of it, ion production has decreased. Use this as a guide for time to take care of the electrode probe.	The installed environment (temperature, humidity, peripheral metals, etc.) have affected the performance to remove electricity.
Removing electricity	Removing electricity stops.	Removing electricity continues.	Removing electricity continues.
Countermeasure	Contact a distributor in your district or our office.	Take care of the electrode probe. <sup>*1</sup> If the status cannot be improved, replace the relevant electrode probe.	Check the environment and peripheral metals.
Replacement part	-	SPA-0208 Tungsten electrode probes for ionizer (including 4)	-

\*1. Before taking care of the electrode probe, turn off the main power of the main body, and be careful to perform the work.